

HELLO CREWMAN! TODAY IS YOUR FIRST DAY ON THE JOB AND WE  
NEED TO MAKE SURE YOU ARE READY TO JOIN YOUR CONSTRUCTION  
TEAM AND HELP BUILD AMERICA.

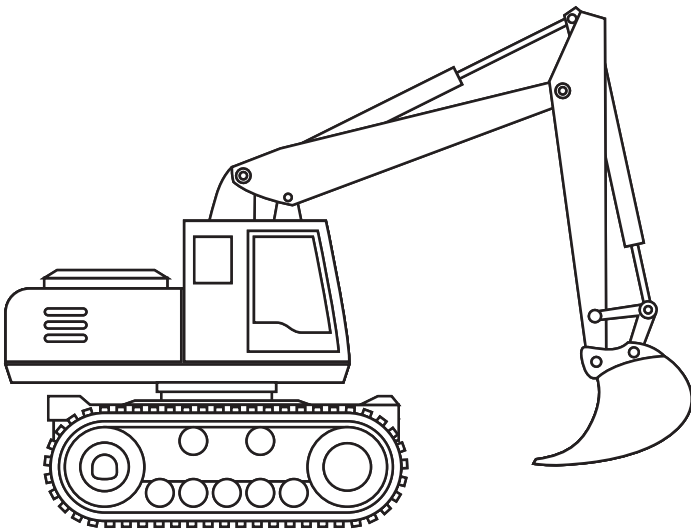
COLOR THE I BUILD AMERICA LOGO BELOW.



I BUILD  
AMERICA

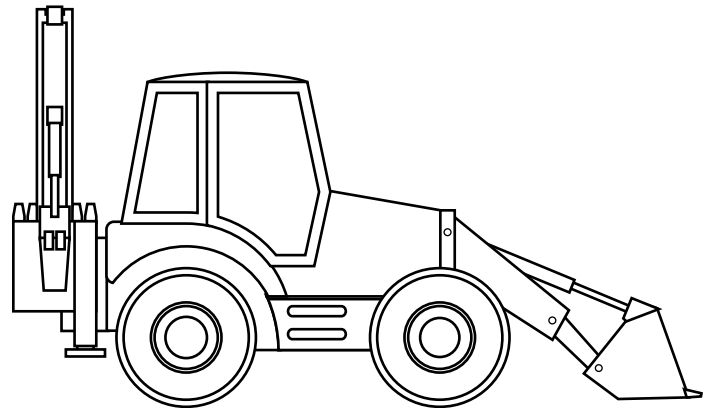
LET'S LEARN ABOUT ALL OF THE EQUIPMENT YOU WILL BE USING  
WHILE WORKING ON EACH JOB SITE.

READ THE DESCRIPTIONS ON THESE TWO PAGES AND COLOR IN EACH  
PIECE OF EQUIPMENT.



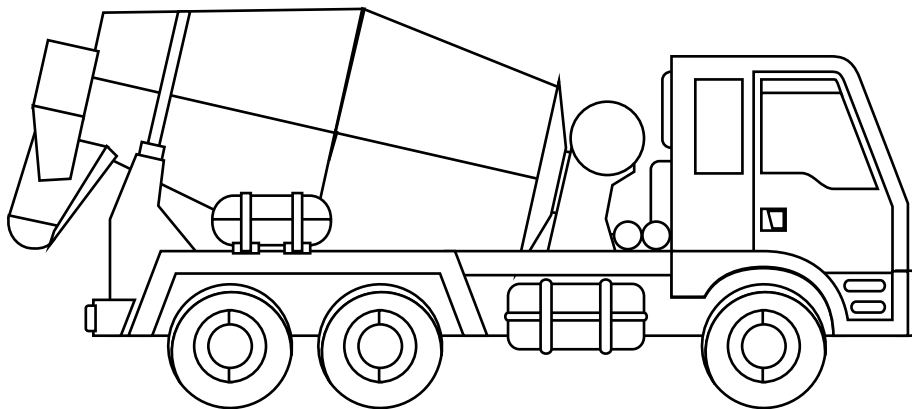
### The Excavator

My job is to dig and carve in the dirt, and help load heavy things into the dump truck.



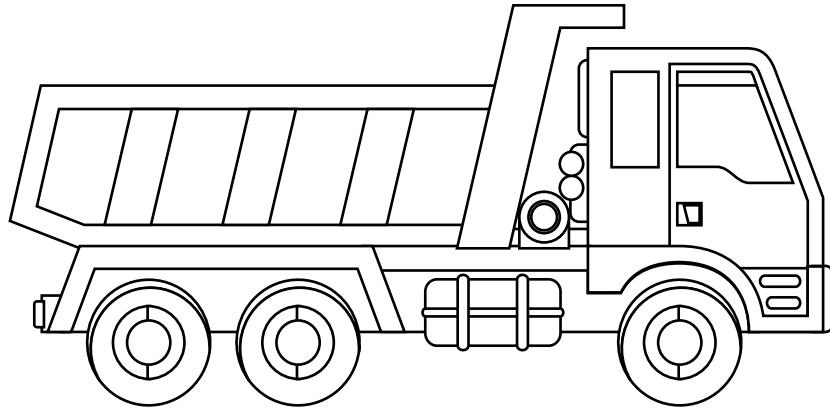
### The Loader

It's my job to scoop dirt and rocks and load them into the dump truck.



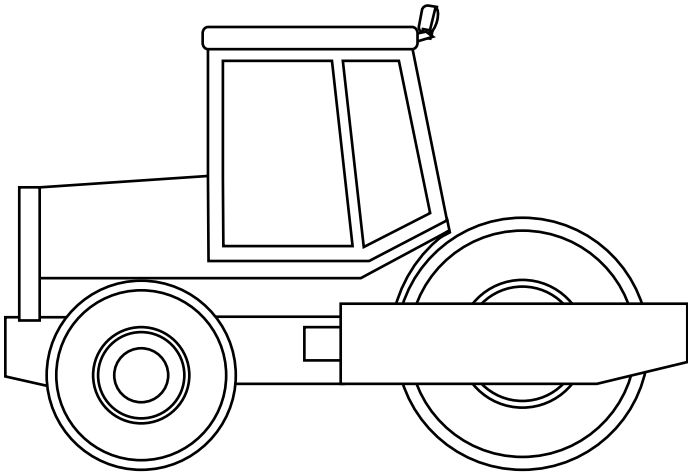
### The Concrete Mixer

It's my job to mix all of the ingredients in concrete.  
Concrete is made of cement, sand or gravel, and water.



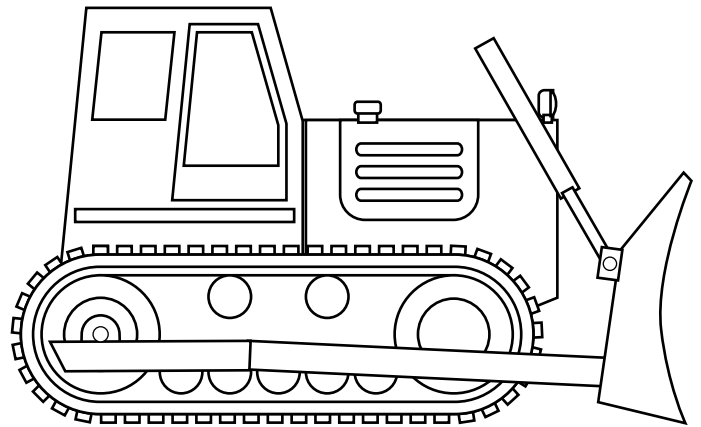
### The Dump Truck

My job is to carry rocks, dirt, and other heavy things from one place to another.



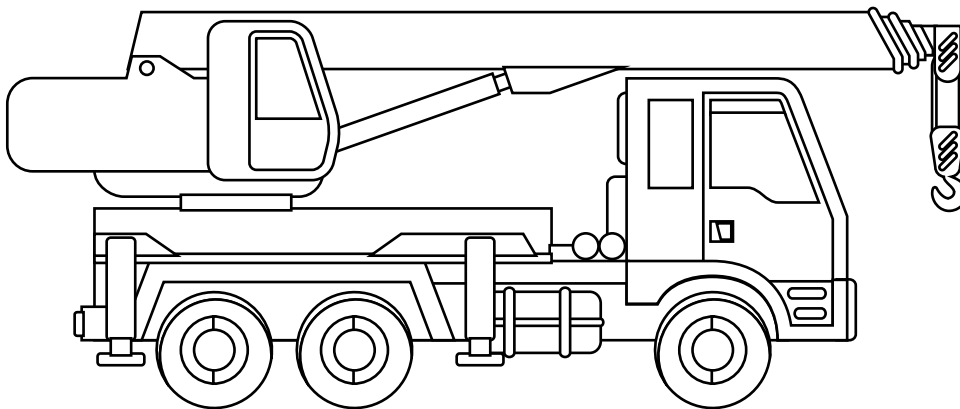
### The Roller

My job is to compact dirt, gravel, sand, and lots of other things so that they are nice and flat.



### The Bulldozer

I get to push things around, carve into mountains, and help level uneven ground.



### The Crane

I get to lift, lower, and move heavy things on job sites.